

## **Cleaning and Care**

Care should be given to the cleaning of this product. Although its finish is extremely durable, it can be damaged by harsh abrasive or polish. To clean, simply wipe gently with a damp cloth and blot dry with a soft towel.

## **WARNING**

Scrubbing Bubbles Bathroom Cleaner and Lysol Basin Tub and Tile Cleaner must not be used on the clear knob handles and levers. Use of these cleaners can result in cracked or severely damaged handles. If overspray gets onto the handles, immediately wipe them dry with a soft cotton cloth.

## **LIFETIME FAUCET AND FINISH LIMITED WARRANTY**

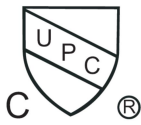
All parts and finishes of the faucet are warranted to the original consumer purchaser to be free from defects in material & workmanship for as long as the original consumer purchaser owns their home. We recommend using a professional plumber for all installation & repair. We will replace, FREE OF CHARGE, during The warranty period, any part or finish that proves Defective in material and/or workmanship under Normal installation, use & service. This warranty is extensive in that it covers replacement of all defective parts and even finish, but these are the only two things that are covered. LABOR CHARGES AND/OR DAMAGE INCURRED IN INSTALLATION, REPAIR, OR REPLACEMENT AS WELL AS ANY OTHER KIND OF LOSS OR DAMAGES ARE EXCLUDED. Proof of purchase (original sales receipt) from the original consumer purchaser must be made available to us for all warranty claims.

This warranty excludes all industrial, commercial & business usage, whose purchasers are hereby extended a five year limited warranty from the date of purchase, with all other terms of this warranty applying except the duration of the warranty.



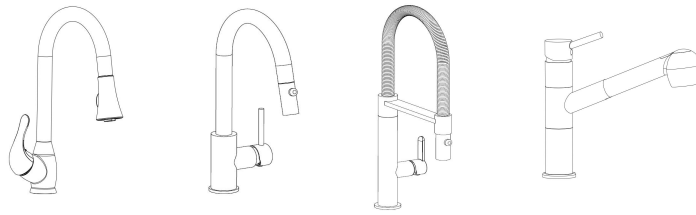
## SINGLE HANDLE PULL-DOWN KITCHEN FAUCET WITH SPRAYER

NSF/ASNI 61&NSF/ASNI 372



ASME A112.18.1/CSA B125.1

NSF61 & NSF372



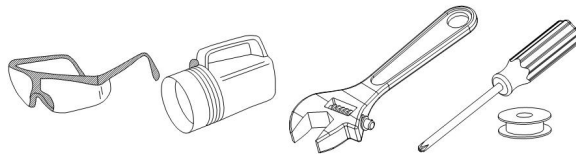
### Models

**JST033 / ST032 / ST035 / ST061 / ST062-RH / ST065 / ST073**

**ST100 / ST101 / ST108 / ST112 / ST115 / ST116**

### You may need:

---



### For easy installation of your faucet you will need:

To **READ ALL** the instructions

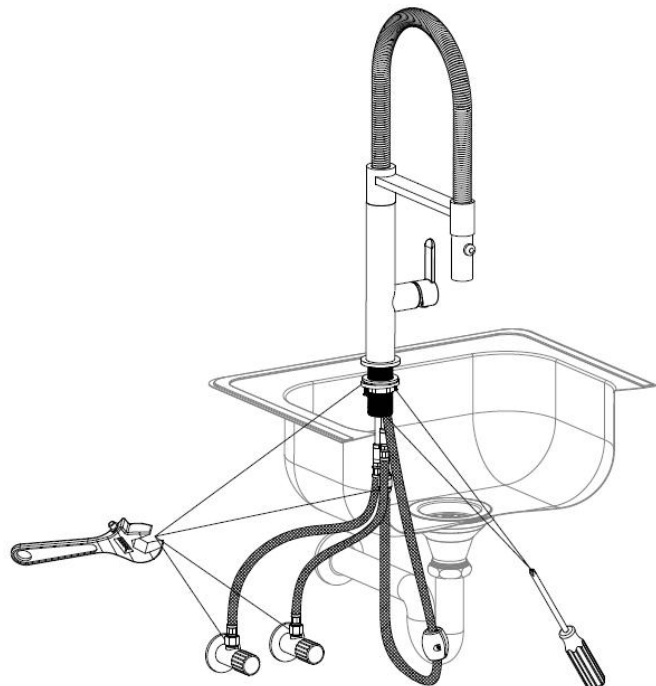
completely before beginning.

To **READ ALL** warnings, care, and

maintenance information.

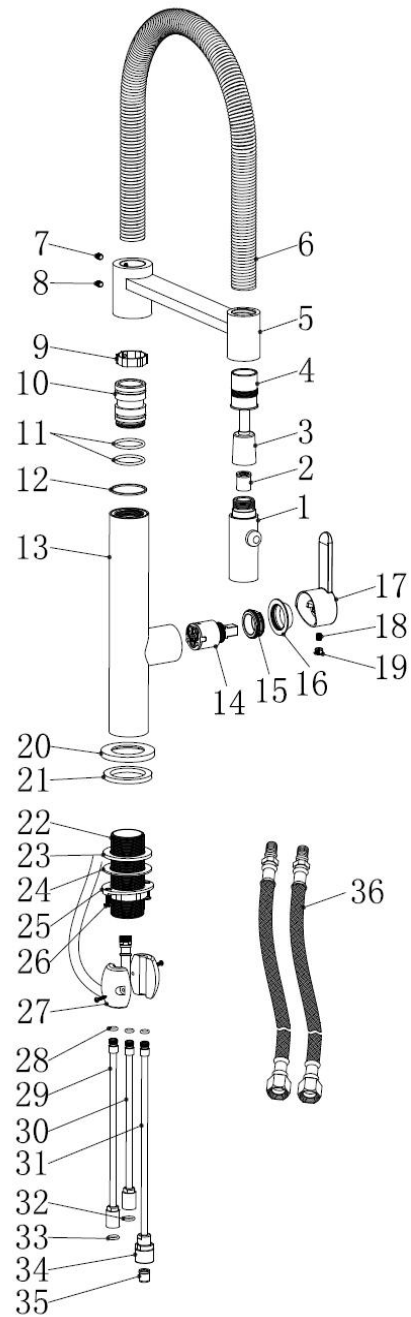
To purchase the correct water

supply hook-up.

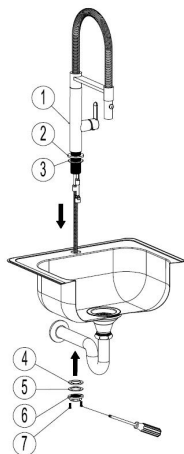


# Break-Down Drawing

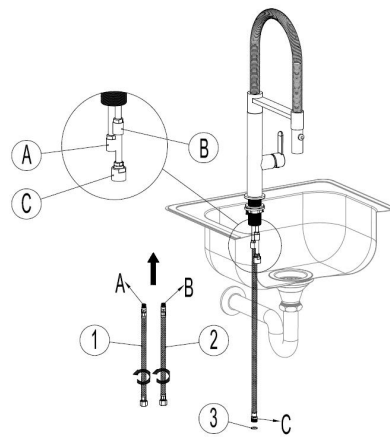
Part	Description	Quantity
1	Shower head	1
2	Check valve	1
3	Shower hose	1
4	Protector sleeve	1
5	Shower holder	1
6	Spring	1
7	Allen screw	1
8	Allen screw	1
9	Circlip	1
10	Adpator	1
11	O-ring	1
12	Washer	1
13	Body	1
14	Cartridge	1
15	Bonnet nut	1
16	Cap	1
17	Handle	1
18	Allen screw	1
19	Button	1
20	Washer	1
21	Washer	1
22	Shank	1
23	Washer	1
24	Washer	1
25	Bonnet nut	1
26	Screw	2
27	Weight	1
28	O-ring	3
29	Hot water pipe	1
30	Cold water pipe	1
31	Outlet pipe	1
32	O-ring	1
33	O-ring	1
34	Nut	1
35	Check valve	1
36	Supply hose	2



## 1

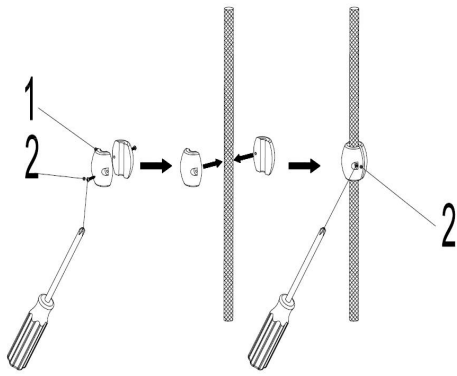


Assembly Washer (2)(3) onto faucet (1), position faucet on sink . Slide washer(4)(5) and lock nut(6) with screws (7). Tighten nut and screws (7) .



Connect supply hose(1)(2) into faucet, hot A and cold B. Connect shower hose C with washer (3) to C. Hand it .

2



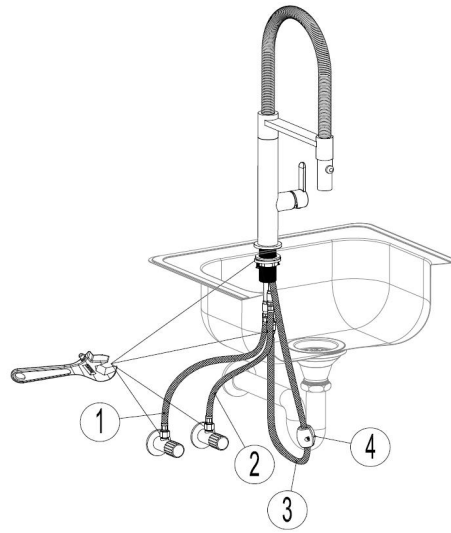
Re-assembly weight (1).

Take out the screw (2) from weight (1)

Then assembly weight (1) onto shower hose

use screw(2) ring to fix weight (1)

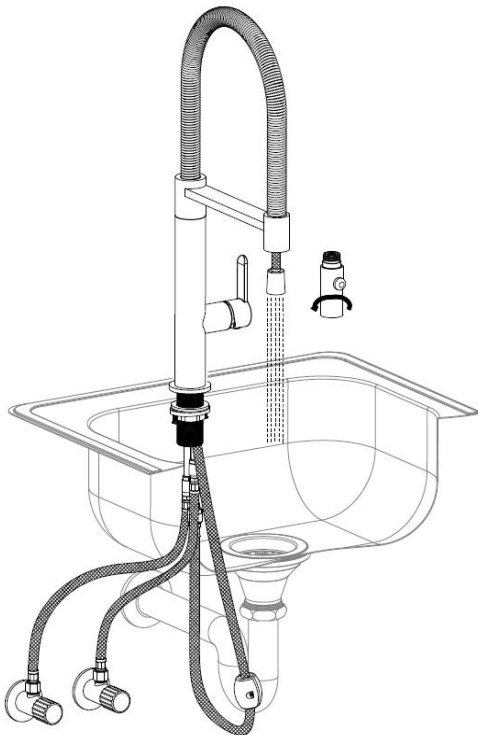
Slide weight up or down to adjust the pull out length as per you requirement.



Make connections to water lines.

Tighten but do not overtighten.

3

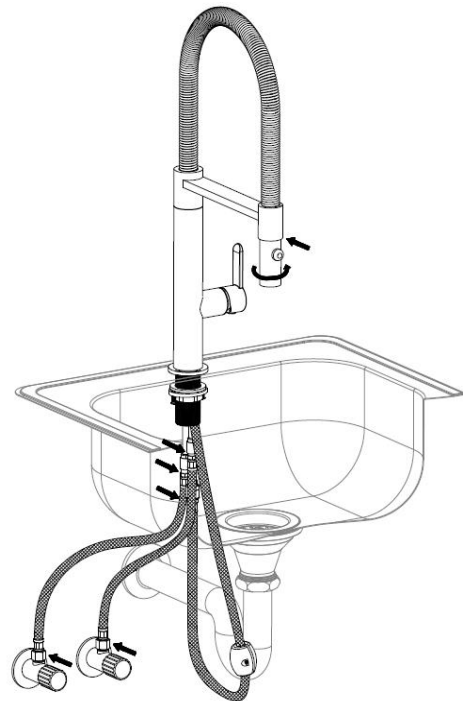


Remove shower head and open faucet handle all the way on .

Turn on hot and cold water supplies and flush water lines for one minute.

**Important:** This flushes away any debris that could cause damage to internal parts.

4



Check all connections at arrows for leaks.

Re-tighten if necessary, but do not overtighten.